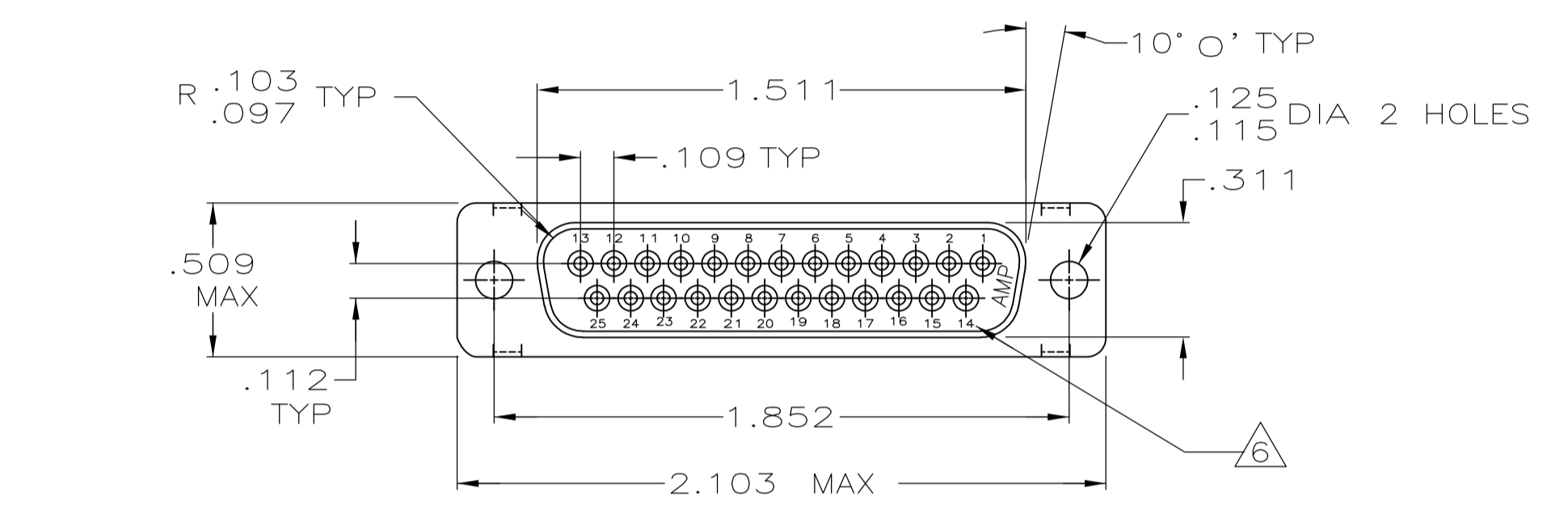
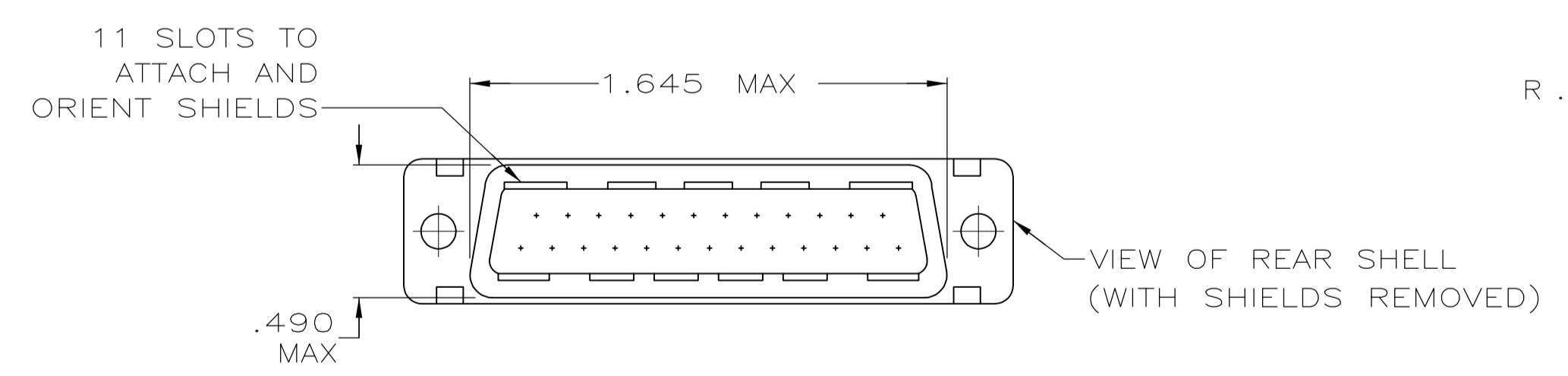
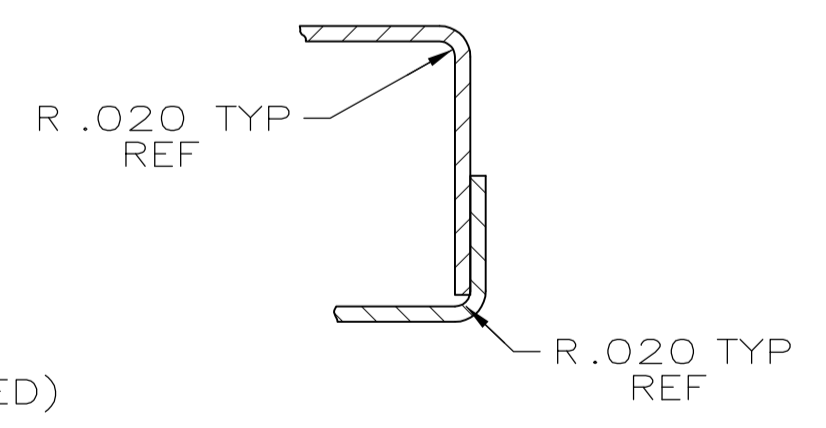
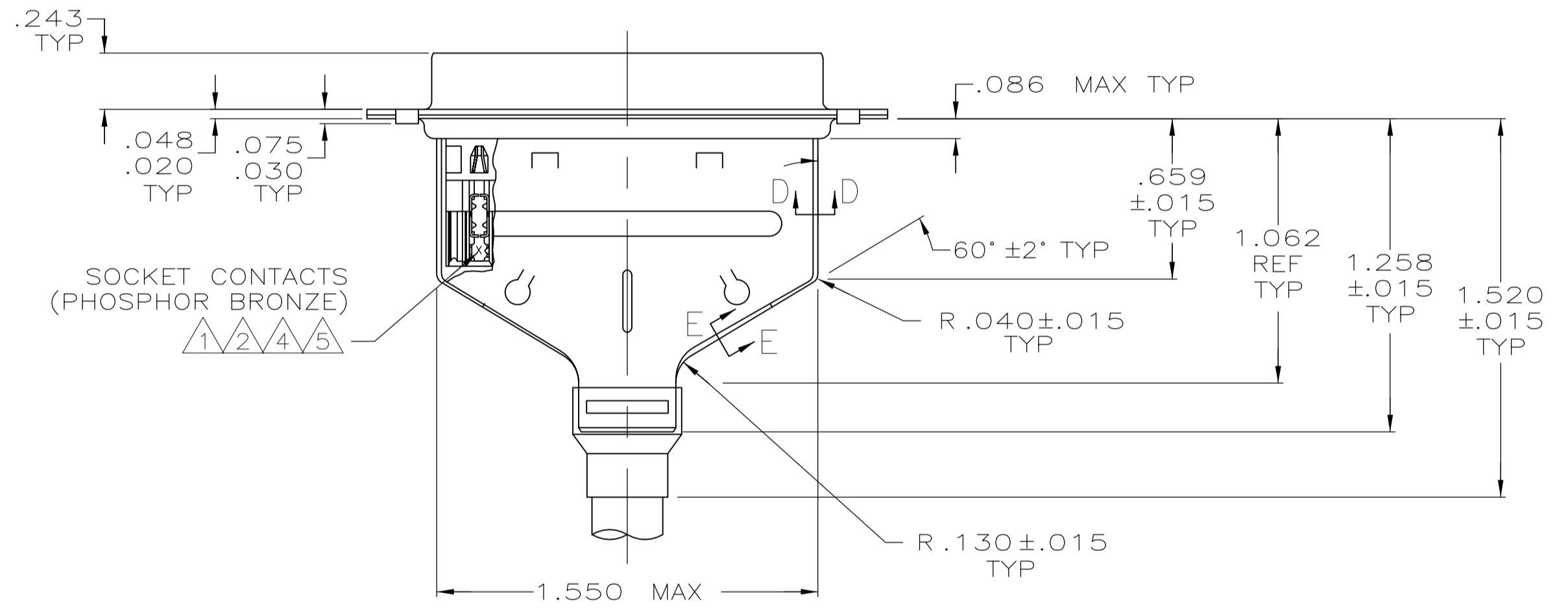
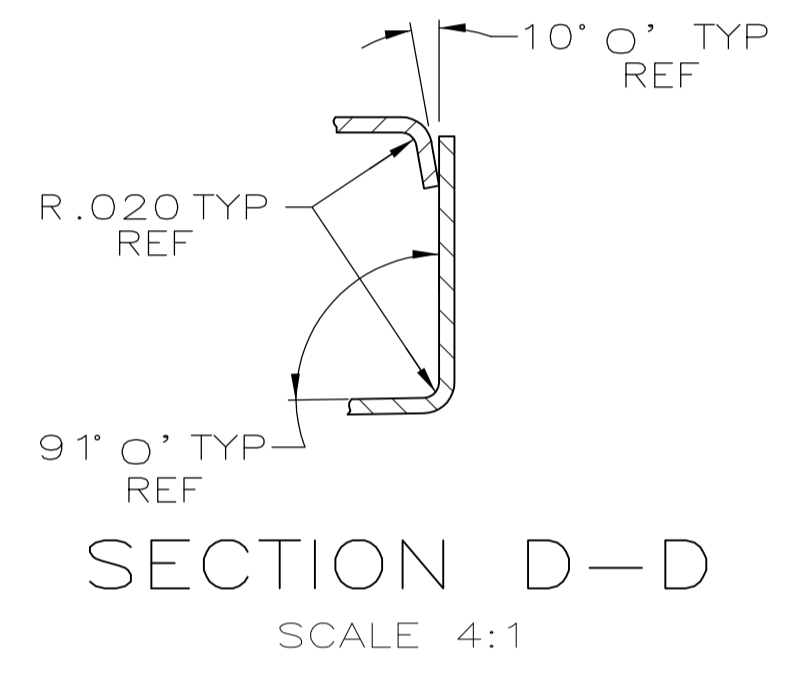


- ① RCPT CONNECTOR FULLY LOADED WITH CONTACTS. ALL OTHER PARTS SHIPPED UNASSEMBLED (EACH PART INDIVIDUALLY BULK PACKED).
- ② NUMBER ON CONTACT INDICATES WIRE RANGE.
- ③ SHIELDS: MATERIAL—.020 THICK STEEL, TIN PLATED.
- ④ CONTACTS PLATED .000030 GOLD ON MATING END FOR .100 MIN LENGTH. .000100—.000200 BRIGHT TIN OR BRIGHT TIN-LEAD IN WIRE TERMINATION AREA. .000050 NICKEL UNDERPLATE ON ENTIRE CONTACT.
- ⑤ CONTACTS PLATED WITH GOLD FLASH ON MATING END FOR .100 MIN LENGTH. .000100—.000200 BRIGHT TIN OR BRIGHT TIN-LEAD IN WIRE TERMINATION AREA. .000030 NICKEL UNDERPLATE ON ENTIRE CONTACT.
- ⑥ RAISED CAVITY IDENTIFICATION AND AMP TRADEMARK.
- ⑦ CONTACTS PLATED .000030 GOLD ON MATING END FOR .100 MIN LENGTH. .000100—.000200 MATTE TIN IN WIRE TERMINATION AREA. .000050 MIN NICKEL UNDERPLATE ON ENTIRE CONTACT.
- ⑧ CONTACTS PLATED WITH GOLD FLASH ON MATING END FOR .100 MIN LENGTH. .000100—.000200 MATTE TIN IN WIRE TERMINATION AREA. .000030 MIN NICKEL UNDERPLATE ON ENTIRE CONTACT.



RCPT CONNECTOR  
 INSERT: BLACK THERMOPLASTIC,  
 94V-0 RATED.  
 SHELL: STEEL PER ASTM A109,  
 BRIGHT TIN PLATED  
 PER MIL-T-10727.



	⑧	3	#22-26	747548-9
	⑦	2	#22-26	747548-8
OBSOLETE	⑦	1	#26-30	747548-7
OBSOLETE		3	#20-22	747548-6
OBSOLETE	⑤	2	#22-26	747548-5
OBSOLETE		1	#26-30	747548-4
OBSOLETE		3	#20-22	747548-3
OBSOLETE	④	2	#22-26	747548-2
OBSOLETE		1	#26-30	747548-1
	CONTACT FINISH	②	WIRE RANGE	PART NUMBER

THIS DRAWING IS A CONTROLLED DOCUMENT.

DIMENSIONS: INCHES	TOLERANCES UNLESS OTHERWISE SPECIFIED:	DIN	11-16-04
0 PLC ± -	1 PLC ± -	L. VARELA - DOCKS	11-16-04
2 PLC ± -	3 PLC ± .005	J. GERACE	
4 PLC ± -	ANGLES ± 0° 30'	M. WALMSLEY	11-16-04
MATERIAL SEE CALL OUTS	FINISH SEE TABLE	APVD	NAME
		PRODUCT SPEC	108-40011 & 108-40030
		APPLICATION SPEC	108-40002
		SIZE	CAGE CODE DRAWING NO
		WEIGHT	A1 00779 C=747548
		CUSTOMER DRAWING	SCALE 2:1 SHEET 1 OF 1 REV K3

STE TE Connectivity  
 KIT, RCPT, SHIELDING HARDWARE, SIZE 3, 25 POSN, HDE-20, AMPLITE